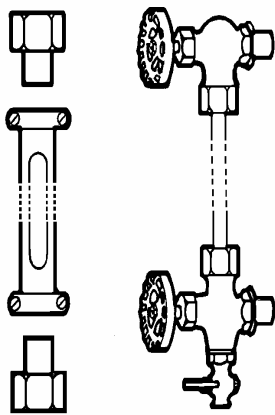


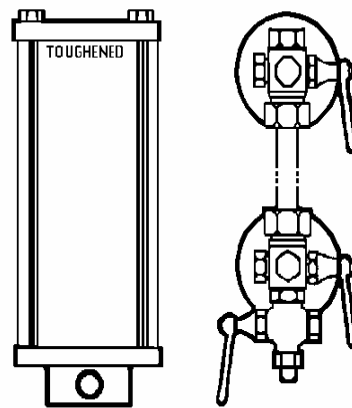
J. B. TREASURE & Co. Ltd.

LEVEL GAUGES

TANK LEVEL GAUGES



WATER LEVEL GAUGES



J.B Treasure offer a range of "Level Gauges" for use on static tanks and on high temperature and pressure boilers.

They are generally manufactured in gunmetal but for certain corrosive applications they are also available in stainless steel. Our tank level gauges have $\frac{1}{2}$ " or $\frac{3}{4}$ " BSP threads and the Water Level Gauges have either $\frac{1}{2}$ " or $\frac{3}{4}$ " BSP threads, but both types can be supplied with flanges drilled to BS Tables on request.

Borosilicate glass tubing is offered in a range of diameters to suit our gauges and is supplied cut to length. Protection of the glass tube is important and for "Tank Level Gauges" either Guard Rods or Brass Tubular Guards are available. For "Water Level Gauges" operating at higher pressure we supply "3 Sided Glass Protectors" fitted with toughened glass manufactured to BS3463 specifications.

36 Vauxhall Road Liverpool L3 6DN
Tel 0151-236-8314 Fax 0151-236-2804
treasurejb@aol.com
www.jbtreasure.co.uk